

Quad-blast

Quad LED lamp

Superior light output, Low profile, the ultimate combination.



Design features:

- High intensity directional light spread.
- Built in flasher unit.
- 36 individual flash patterns.
- Waterproof connectors.
- IP 67 rated.
- Up to 8 units can be synchronised.
- Can be powered via an external flasher.
- Flush mount option available.

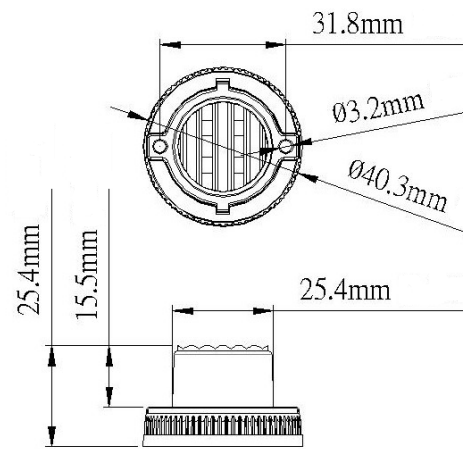
Benefits:

- 5 year LED warranty.
- High quality product.
- Easy fit, no flasher to hide.
- Available in 3 colours:

Model Number	Colour
QUADB-DV00	Blue
QUADR-DV00	Red
QUADW-DV00	White

- Optional mountings available:

Model Number	Description
MK026-000	L BRACKET
MK026-002	MOUNTING FLANGE
MK026-003	MOUNTING GROMMET

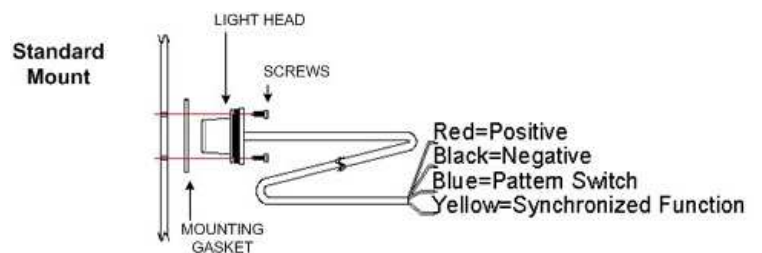


Applications:

- Where any directional emergency lighting is required

Specification:

- Voltage: 10-30 VDC
- Current consumption: 2A@12VDC
- Cable length: 200mm
- EMC REG 10.04 approved.



NOTE: ONLY ONE LIGHTHEAD SUPPLIED